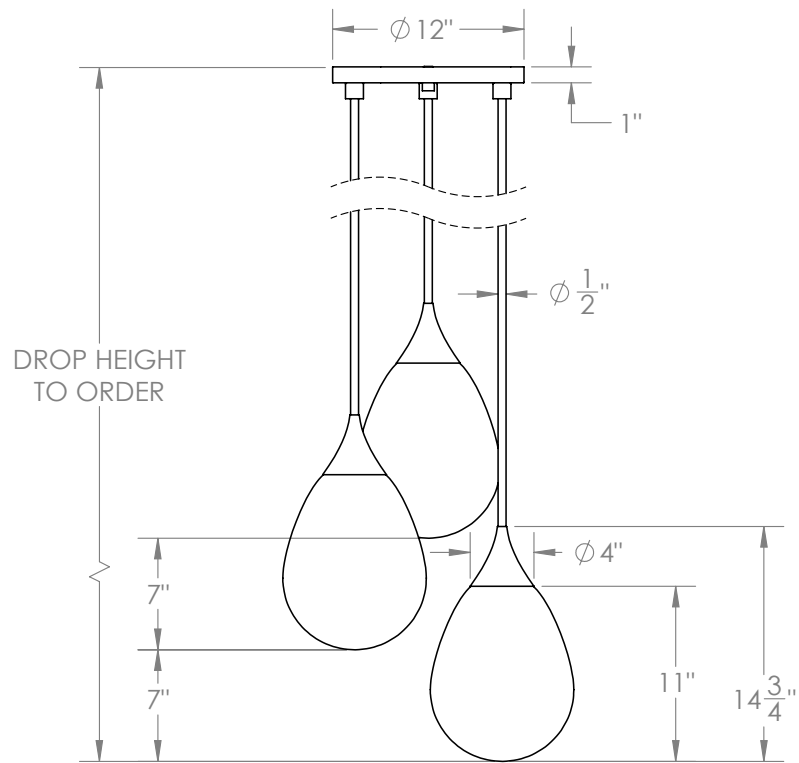


A carefully crafted, hand-blown glass pendant hangs from a spun brass cone for an elongated and elegant teardrop shape. Available in two sizes as a single pendant, a cluster of three or five pendants, or a custom cluster.

## Teardrop Pendant Three Cluster - Large



### Dimensions

19.625"D

Drop length cut to order. Pricing includes up to 78"H. For longer drop lengths please inquire for custom quote.

### Materials

hand-blown glass and brass

### Metal Finish

satin brass, antique brass, oil-rubbed bronze, satin black, satin nickel or antique nickel

### Glass Color

white or grey

### Lead time

6-10 weeks

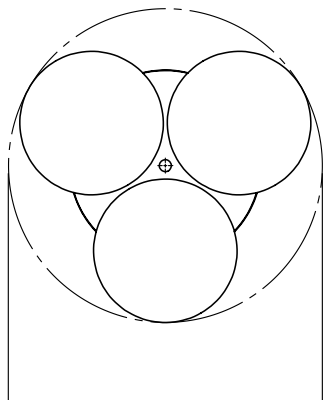
### Lamping

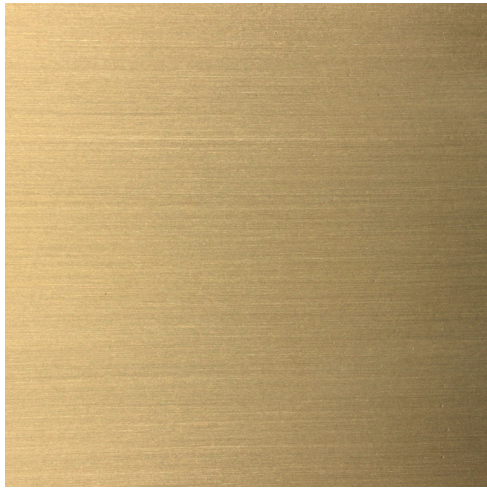
E26 | 120V | 60W

9.5W dimmable LED bulbs included

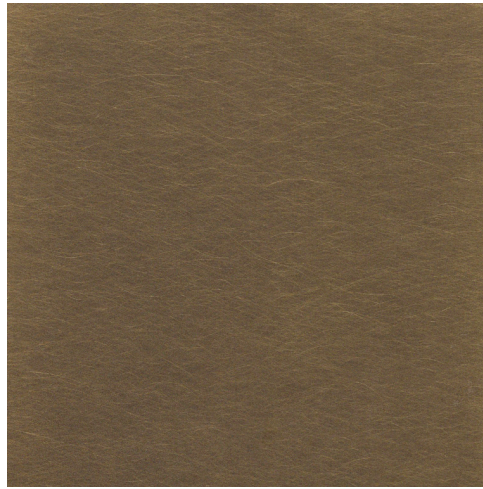
120V; 950 lumens; 2700k color temperature

UL listed





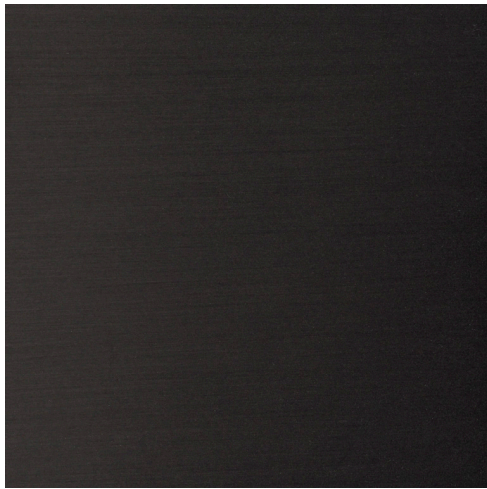
Satin Brass



Antique Brass



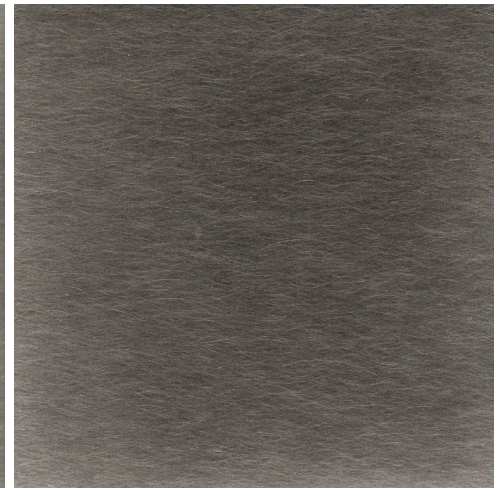
Oil-Rubbed Bronze



Satin Black



Satin Nickel



Antique Nickel