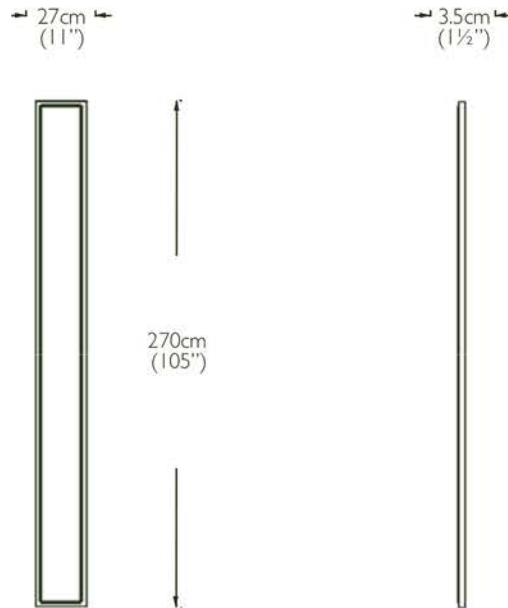


OCHRE





dimensions:

overall - 27cm w x 3.5cm d x 270cm h (11" w x 1½" d x 105" h)
 frame - 2.5cm w x 3.5cm d (1" w x 1½" d)

installation:

can be hung portrait or landscape - please specify

weight:

approx 18kg (40lbs)

lead time:

10 - 12 weeks

also available:

overall - 27cm w x 3.5cm d x 183cm h (11" w x 1½" d x 72" h)

weight:

approx 15kg (33lbs)

custom sizes available - please enquire

each piece of mercury glass is hand tarnished and therefore unique - images are a guide only as each piece will vary

gesso and bole is the base usually prepared for water gilding; the technique is centuries old • six to eight layers of gesso, and then three to four layers of bole (which is a mixture of natural earth pigments and gelatin glue) are applied whilst warm • each layer of the gesso, and each layer of the bole is finely sanded, and then the last layer of bole is burnished

mayfair mirror

gesso and burnished bole frame with mercury glass mirror