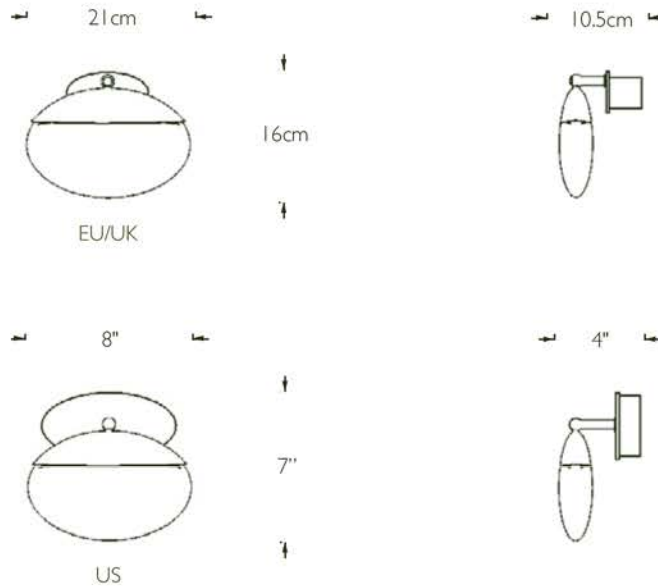


OCHRE



colours shown are a general indication of the actual finish

antique brass
satin nickel
blackened nickel



dimensions:

oval back plate - 10cm w x 4.3cm d
(6.5" w x 1 1/4" d to fit 2" x 4" J-box)
overall - 21cm w x 10.5cm d x 16cm h (8" w x 4" d x 7" h)
pebble - 21cm w x 5cm d x 12.5cm h (8" w x 2" d x 5" h)

light source:

2x LED total, each 1W, 2700K (US 3000K), approx 80 lumens,
US dimmable, EU/UK not dimmable
(dimmable with remote driver, please enquire)
UL listed

installation:

driver housed within wall fitting
qualified electrician necessary for installation

weight:

approx 3kg (7lbs)

lead time:

10 - 12 weeks if not in stock

also available:

round back plate (US only to fit 4" x 4" J-box)
overall - 8" w x 4" d x 8" h

gaia wall light

solid glass drop illuminated by LED, antique brass, blackened or satin nickel cap with matching wall canopy