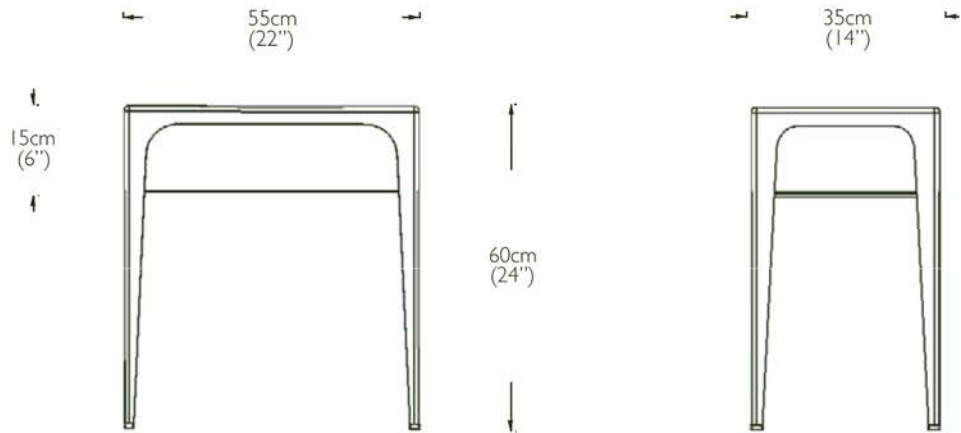


OCHRE





dimensions: overall - 55cm w x 35cm d x 60cm h (22" w x 14" d x 24" h)
 shelf height - 45.5cm h (18" h)
 weight: approx 7kg (15lbs)
 lead time: 10 - 12 weeks

also available: overall - 65cm w x 40cm d x 70cm h (26" w x 16" d x 28" h)
 shelf height - 55.5cm h (22" h)
 weight: approx 8kg (17.5lbs)
 custom sizes available - please enquire

leather colour can vary from hide to hide and will change naturally over time based on use and exposure to sunlight • hides are selected from the finest leathers with natural variations in colour, veining, marks and scars • such characteristics should therefore not be considered as faults • this is a natural, unfinished leather which has a silky soft feel and should be treated with care as it can bruise if it comes into contact with hard or sharp objects

wisp side table with shelf small and large

metal frame clad in the finest upholstery leather with slung saddle leather shelf & brass capped feet