





MONTFAUCON PENDANT

DESCRIPTION

The Montfaucou Pendant is machined by hand from solid brass. All parts are hand polished and patina'd. The unglazed porcelain shade is made by hand.

FINISHES

Shown in Oil Rubbed Bronze (standard). Please inquire about our other finishes. Note: All finishes may vary slightly.

SHADE

Unglazed Porcelain. Due to the hand-made nature of these porcelain shades, the thickness, height and texture will vary slightly.

| MODEL # | DIMENSIONS | NET WT. |
|---------|---------------------|---------|
| 1 6 6 4 | 5.25 Diam x 60 OAH* | 3 lbs |

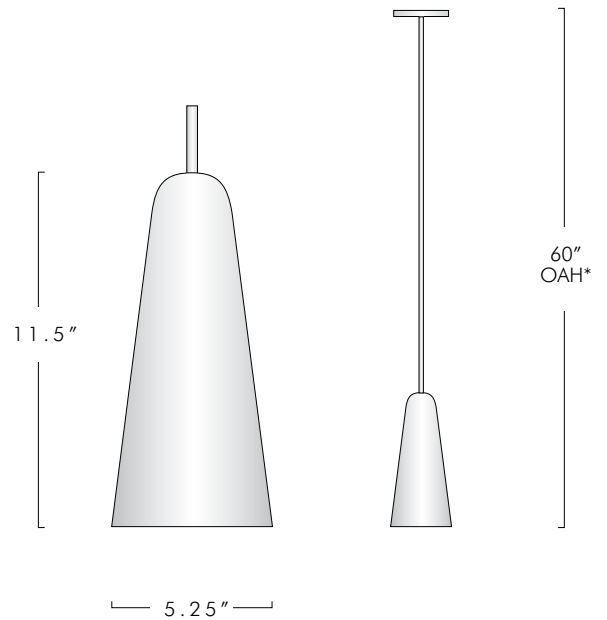
CEILING PLATE

4.5" Diameter

ELECTRICAL

1 x 8w LED Bulb Only - (75w incandescent equivalent)
Warm White, Dimmable

*Custom drop lengths can be specified.



All Lighting Design and Design Elements are ©2016 by Jonathan Browning Studios, Inc.