

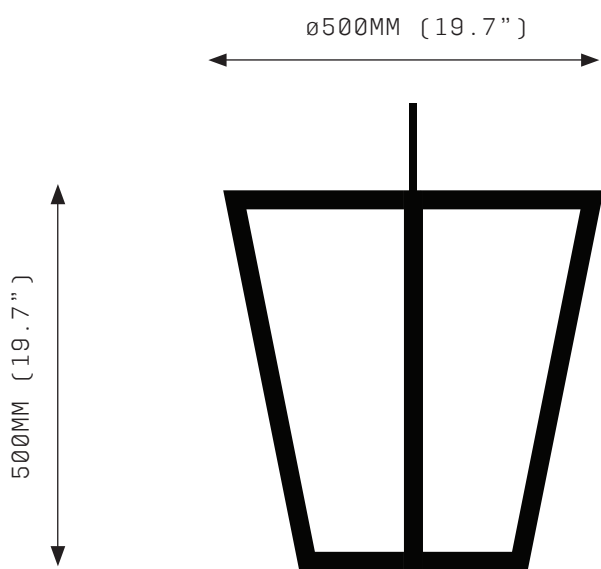
ASTERIX



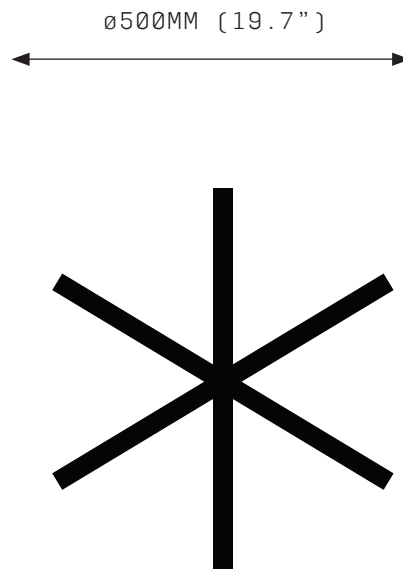
Geometry, a core language of the ASTERIX series, is expressed as timeless objects of light.

Reworking the concept of the traditional lantern to displace the light source from the interior to the external frame, ASTERIX is extruded from the keyboard character of its namesake.

ASTERIX



FRONT VIEW



TOP VIEW

SPECIFICATIONS

Ordering Code:
AST

Lamp:
24V LED WW 2700K

Lumens:
7030 LM

Voltage:
24V DC

Watts:
87W

Weight:
Approx. 10kg*
*Exclusive of canopy

Inclusions:
Power Supply Unit x 100W

Exclusions:
User Interface, Dimmer Unit

PRODUCT OPTIONS

Finishes:
AB Aged Brass
BB Brushed Brass
HRB Hand Rubbed Brass
DB Dark Bronze
MP Mottled Patina
PB Polished Brass
BSS Brushed Stainless Steel*
PSS Polished Stainless Steel*
* Stainless Steel has a different profile

Suspension:
ROD Vertical Rod

Canopy:*
RFS Round Flush Small
RFM Round Flush Medium
RFL Round Flush Large
RSM Round Surface Medium
RSL Round Surface Large
*Refer to Canopy Specification Guide

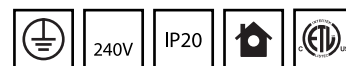
WARRANTY

3 Years Fixture
3 Years Power Supply Unit
3 Years LED

Asterix is a solid fixture that will require very little maintenance over the years.

If your Asterix is treated with care, it will shine brightly for many years to come.

Contact us for custom variations.



Installation should only be undertaken by a qualified professional