



HECTOR FINCH

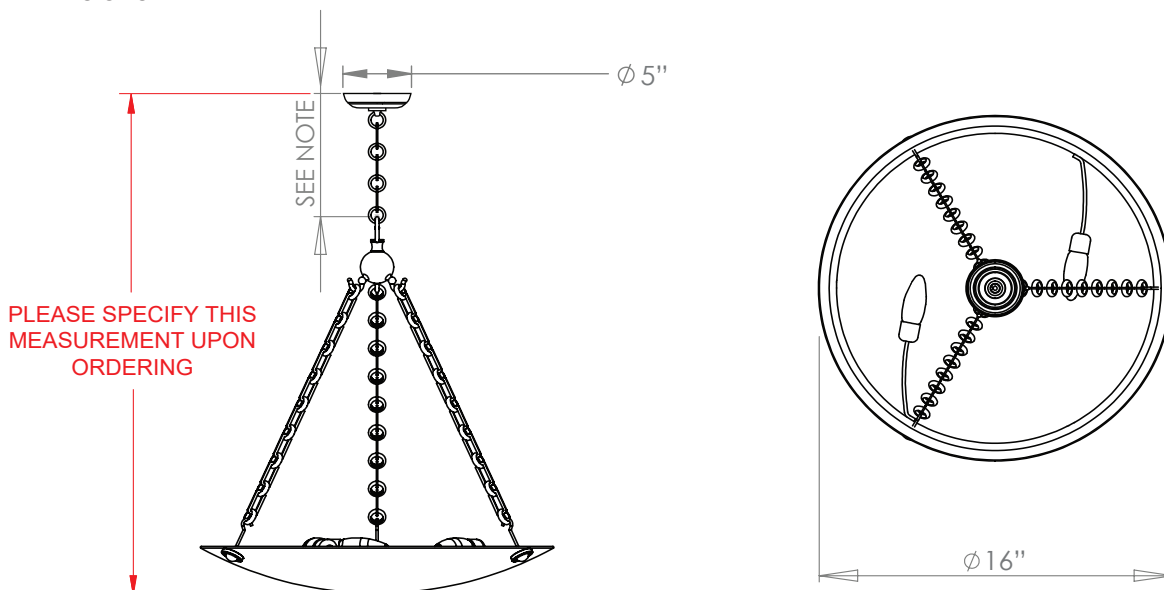
ALABASTER BOWL SMALL



PRODUCT CODE PL74S

CATEGORY: CHANDELIERS & PENDANTS

DIMENSIONS



Note: Single chain above ball hook is optional. Ball hook can attach directly to ceiling hook



PRODUCT CODE PL74S

CATEGORY: CHANDELIERS & PENDANTS

ALABASTER BOWL SMALL

LAMP TYPE	USA 2 x 40W (Max) E12 Candelabra
FINISH OPTIONS	Brass Polished Lacquered (shown), Brass Polished Unlacquered, Antique Brass, Bronze, Chrome, Nickel Polished and Nickel Matte.
SIZE & SIMILAR OPTIONS	Alabaster Bowl Medium (PL74M) and Alabaster Bowl Large (PL74L).
WEIGHT	19lb 13oz
ADDITIONAL INFORMATION	Please specify total drop from the ceiling to the bottom. Minimum overall drop from the ceiling to the bottom 22". Alabaster is a natural material so each piece is unique and has small variations.
CLEANING AND MAINTENANCE INSTRUCTIONS	<p>Alabaster: Alabaster is a very fragile material and it must be treated with great care. Clean with a barely damp cloth, never a wet cloth or do not use any form of liquid on this natural material as this could cause marks or staining.</p> <p>Metalwork: We recommend a light polish with a non-abrasive lint free cloth. Do not use any metal cleaning products on the fixture as it can remove the finish entirely. Unlacquered brass finish will patinate slowly over time and can be brightened to brass by the use of a brass cleaning agent.</p>