

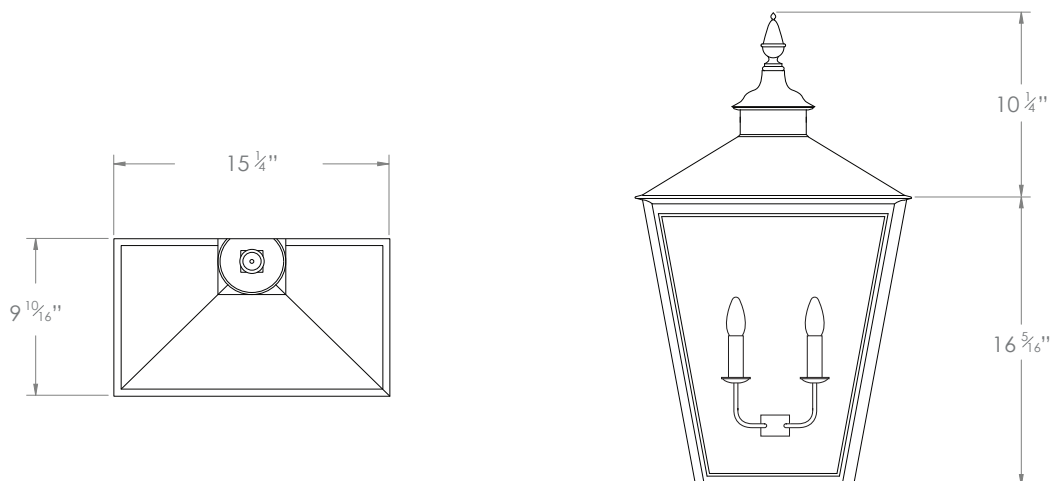
## SIR JOHN SOANE WALL LANTERN WITH ROOF LARGE



PRODUCT CODE WL276

CATEGORY: WALL LANTERNS

### DIMENSIONS






PRODUCT CODE WL276

CATEGORY: WALL LANTERNS

---

## SIR JOHN SOANE WALL LANTERN WITH ROOF LARGE

<b>LAMP TYPE</b>	<b>USA</b> 2 x 60W (Max) E12 Candelabra
<b>FINISH OPTIONS</b>	Antique Brass, Bronze and Zinc (shown).
<b>SIZE &amp; SIMILAR OPTIONS</b>	Sir John Soane Wall Lantern (WL275), Sir John Soane hanging Lantern (LA92) and Sir John Soane Hanging Lantern With Roof on Bracket (WL460).
<b>ACCREDITATION</b>	This product is UL certificated. 
<b>WEIGHT</b>	10lb 9oz
<b>CLEANING AND MAINTENANCE INSTRUCTIONS</b>	<p>Glass: Remove the glass where it is safe to do so. The glass then can be cleaned with a glass cleaner and a lint free cloth. Do not spray glass cleaner directly on the glass or fixture as it could affect the metal finish. Ensure the light is switched off and take care not to pull the flex or allow water to come into contact with the electrical components. Regular dusting with a feather duster will also help keep the glass clean.</p> <p>Metalwork: We recommend a light polish with a non-abrasive lint free cloth. Do not use any metal cleaning products on the fixture as it can remove the finish entirely. Unlacquered brass finish will patinate slowly over time and can be brightened to brass by the use of a brass cleaning agent.</p>