

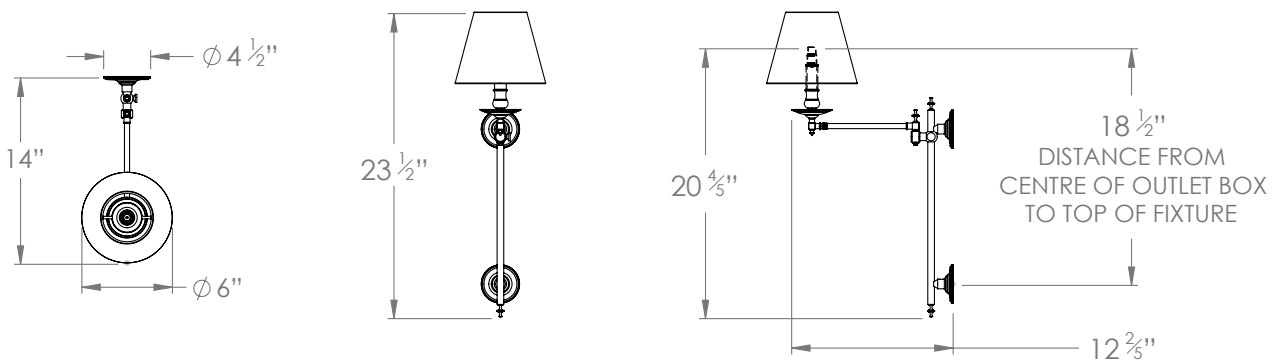
HECTOR SWING ARM WALL LIGHT VERTICALLY ADJUSTABLE



PRODUCT CODE WL182

CATEGORY: WALL LIGHTS

DIMENSIONS





PRODUCT CODE WL182

CATEGORY: WALL LIGHTS

HECTOR SWING ARM WALL LIGHT VERTICALLY ADJUSTABLE

LAMP TYPE	USA 1 x 60W (Max) E12 Candelabra
SHADE OPTIONS	USA Shade 8, Round (6" base X 4" top X 5" height).
FINISH OPTIONS	Brass Polished Lacquered, Brass Polished Unlacquered, Antique Brass (shown), Bronze, Chrome, Nickel Polished and Nickel Matte.
SIZE & SIMILAR OPTIONS	Hector Swing Arm Wall Light Round Backplate (WL63) and Swing Arm Wall Light With Rectangular Backplate (WL188).
WEIGHT	4lb 3oz
ADDITIONAL INFORMATION	Shade not included.
CLEANING AND MAINTENANCE INSTRUCTIONS	<p>Metalwork: We recommend a light polish with a non-abrasive lint free cloth. Do not use any metal cleaning products on the fixture as it can remove the finish entirely. Unlacquered brass finish will patinate slowly over time and can be brightened to brass by the use of a brass cleaning agent.</p> <p>Fabric Shades: Wipe gently with a dry cloth or dust lightly with a feather duster. Repeat regularly to prevent the build up of dust. Regular cleaning will prevent the possibility of dust becoming ingrained. Do not let water or moisture come into contact with the shade.</p>