



HECTOR FINCH

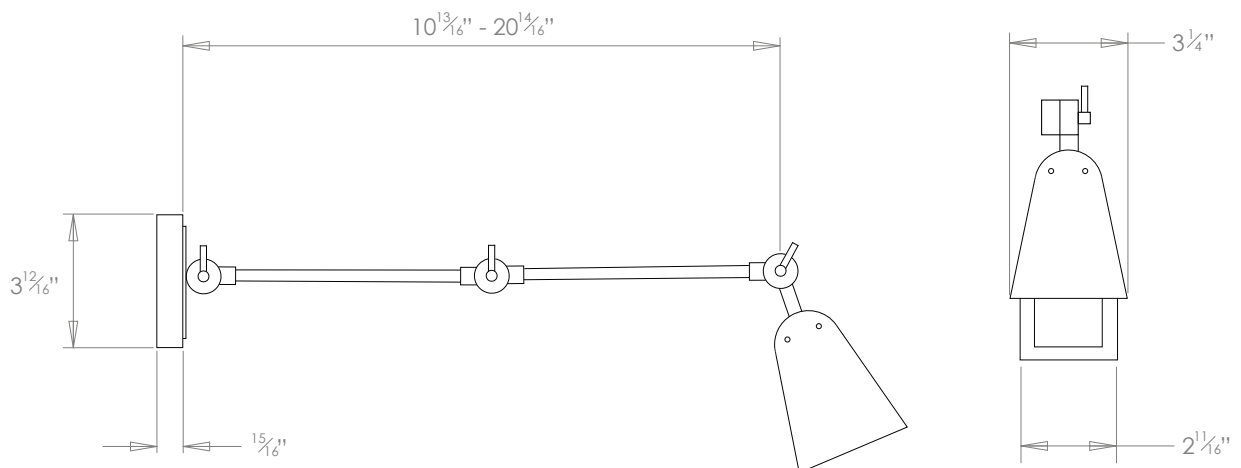
DIDO DOUBLE ARM WALL LIGHT



PRODUCT CODE WL461

CATEGORY: WALL LIGHTS

DIMENSIONS





PRODUCT CODE WL461

CATEGORY: WALL LIGHTS

DIDO DOUBLE ARM WALL LIGHT

LAMP TYPE	USA 1 X 40W (Max) GU10 Halogen LED (Included)
FINISH OPTIONS	Brass Polished Lacquered, Brass Polished Unlacquered, Antique Brass, Bronze (shown), Chrome, Nickel Polished and Nickel Matte.
SIZE & SIMILAR OPTIONS	Dido Single Arm (WL462), Zac Spot Light (WL421), Zac Library Light (WL455) and Max Library Light (WL456).
WEIGHT	11lb 16oz
CLEANING AND MAINTENANCE INSTRUCTIONS	Metalwork: We recommend a light polish with a non-abrasive lint free cloth. Do not use any metal cleaning products on the fixture as it can remove the finish entirely. Unlacquered brass finish will patinate slowly over time and can be brightened to brass by the use of a brass cleaning agent.