

# GIL

Collection

Design / Christophe Delcourt

Made in France



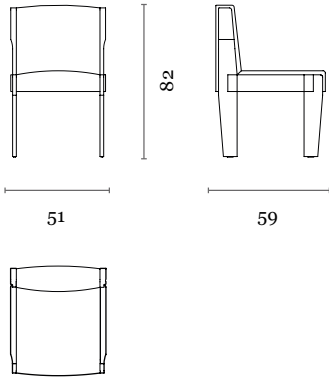
# GIL

## Collection

Design / Christophe Delcourt  
Made in France

### chair

dimensions : 51 x 59 x h 82 cm / COM : 1,6 ml  
seat height : 47 cm



Materials	Finishes
brushed oak / without fabric	(-)
brushed oak / SHELBY fabric	choice of tints / SHELBY range
brushed oak / HASKELL fabric	choice of tints / HASKELL range
brushed oak / KIANA fabric	choice of tints / KIANA range
brushed cerused oak / without fabric	(-)
brushed cerused oak / SHELBY fabric	CH.1104-005.B or CH.1105-005.B / SHELBY range
brushed cerused oak / HASKELL fabric	CH.1104-005.B or CH.1105-005.B / HASKELL range
brushed cerused oak / KIANA fabric	CH.1104-005.B or CH.1105-005.B / KIANA range
lacquer / without fabric	(-)
lacquer / SHELBY fabric	choice of RAL tints / SHELBY range
lacquer / HASKELL fabric	choice of RAL tints / HASKELL range
lacquer / KIANA fabric	choice of RAL tints / KIANA range

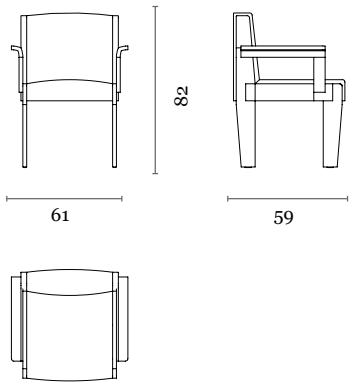
# GIL

## Collection

Design / Christophe Delcourt  
Made in France

### chair with armrests

dimensions : 61 x 59 x h 82 cm / COM : 1,6 ml  
seat height : 47 cm



Materials	Finishes
brushed oak / without fabric	(-)
brushed oak / SHELBY fabric	choice of tints / SHELBY range
brushed oak / HASKELL fabric	choice of tints / HASKELL range
brushed oak / KIANA fabric	choice of tints / KIANA range
brushed cerused oak / without fabric	(-)
brushed cerused oak / SHELBY fabric	CH.1104-005.B or CH.1105-005.B / SHELBY range
brushed cerused oak / HASKELL fabric	CH.1104-005.B or CH.1105-005.B / HASKELL range
brushed cerused oak / KIANA fabric	CH.1104-005.B or CH.1105-005.B / KIANA range
lacquer / without fabric	(-)
lacquer / SHELBY fabric	choice of RAL tints / SHELBY range
lacquer / HASKELL fabric	choice of RAL tints / HASKELL range
lacquer / KIANA fabric	choice of RAL tints / KIANA range